

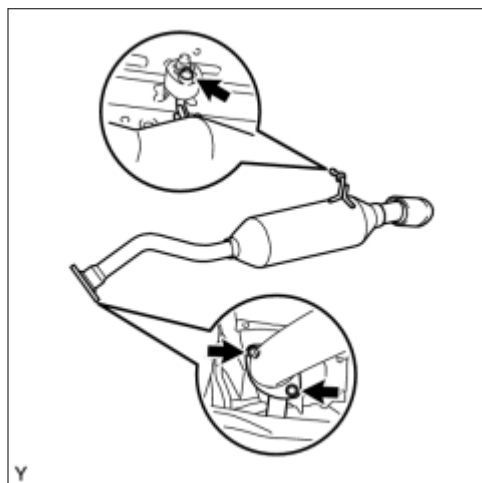
<b>Last Modified:</b> 2-12-2007		1.6 A
<b>Service Category:</b> Engine/Hybrid System		<b>Section:</b> Intake/Exhaust
<b>Model Year:</b> 2008	<b>Model:</b> xB	<b>Doc ID:</b> RM000001XBN00LX
<b>Title:</b> 2AZ-FE EXHAUST: EXHAUST PIPE: REMOVAL (2008 xB)		

## REMOVAL

1. REMOVE NO. 1 ENGINE UNDER COVER [INFO](#)

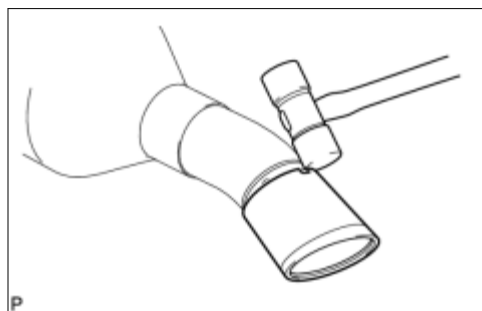
2. REMOVE HEATED OXYGEN SENSOR [INFO](#)

3. REMOVE TAIL EXHAUST PIPE ASSEMBLY



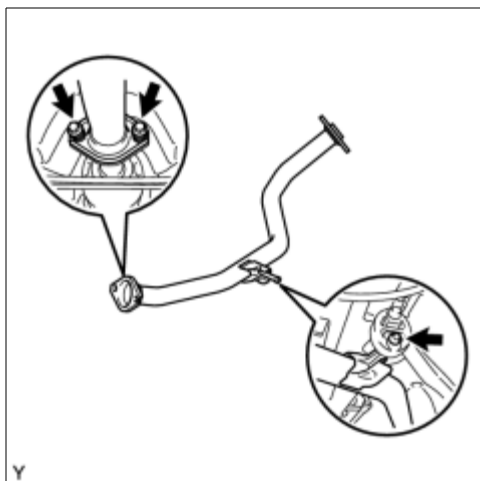
- (a) Remove the 2 bolts and No. 4 exhaust pipe support and remove the tail exhaust pipe assembly.  
(b) Remove the exhaust pipe gasket.

4. REMOVE TAIL PIPE BAFFLE



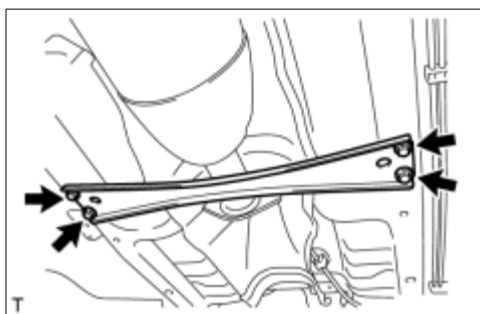
- (a) Using a plastic hammer, uniformly tap out and remove the exhaust tail pipe baffle.

5. REMOVE NO. 2 CENTER EXHAUST PIPE ASSEMBLY



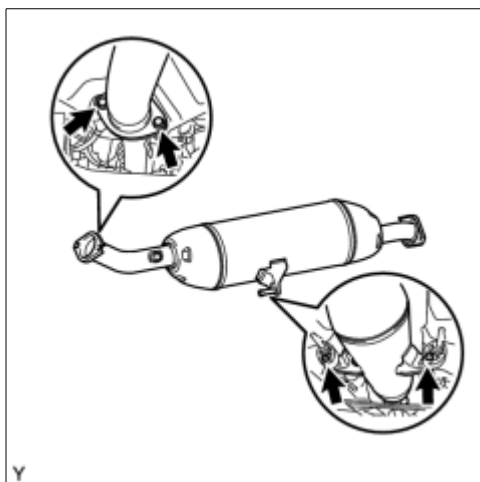
- (a) Remove the 2 bolts and 2 compression springs.
- (b) Remove the No. 4 exhaust pipe support and remove the No. 2 center exhaust pipe assembly.
- (c) Remove the exhaust pipe gasket.

## 6. REMOVE FRONT FLOOR CENTER BRACE



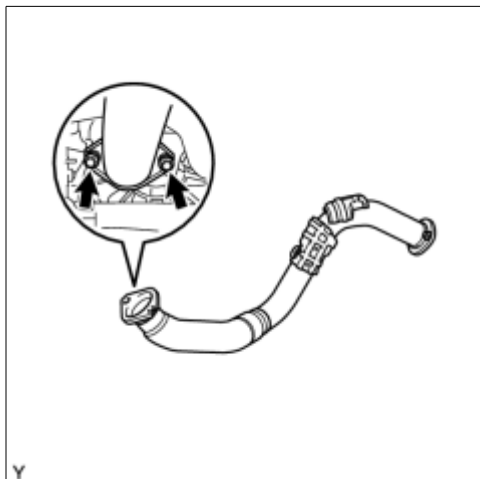
- (a) Remove the 4 bolts and remove the front floor center brace.

## 7. REMOVE CENTER EXHAUST PIPE ASSEMBLY



- (a) Remove the 2 bolts and 2 No. 4 exhaust pipe supports and remove the center exhaust pipe assembly.
- (b) Remove the exhaust pipe gasket.

## 8. REMOVE FRONT EXHAUST PIPE ASSEMBLY



(a) Remove the 2 bolts and 2 compression springs and remove the front exhaust pipe assembly.

