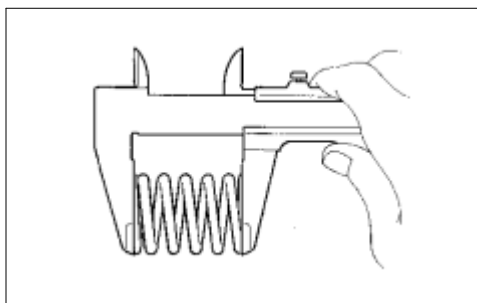


Last Modified: 2-12-2007		1.6 A
Service Category: Engine/Hybrid System		Section: Intake/Exhaust
Model Year: 2008	Model: xB	Doc ID: RM000001XBL00LX
Title: 2AZ-FE EXHAUST: EXHAUST PIPE: INSTALLATION (2008 xB)		

INSTALLATION

1. INSTALL FRONT EXHAUST PIPE ASSEMBLY



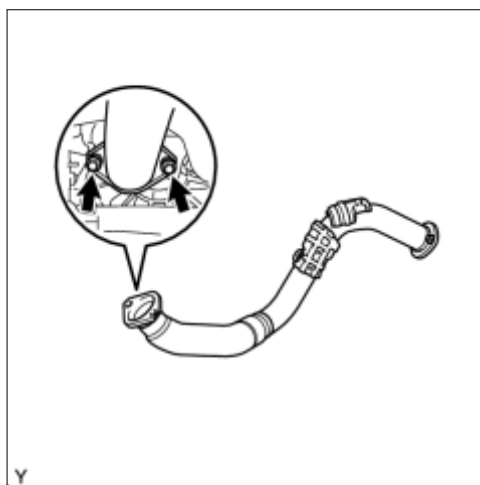
(a) Using vernier calipers, measure the free length of the compression spring.

Minimum length:

41.5 mm (1.634 in.)

If the length is not as specified, replace the compression spring.

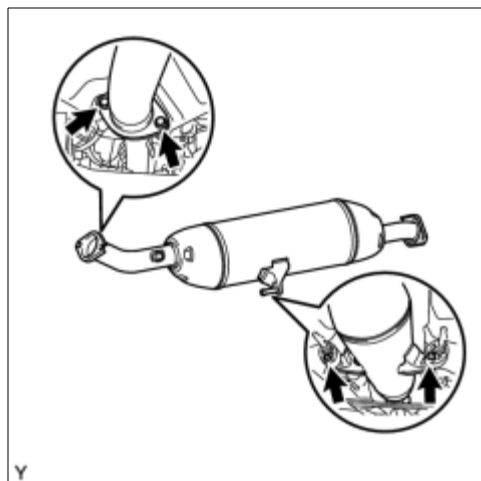
(b) Install the new exhaust pipe gasket to the exhaust manifold converter.



(c) Install the front exhaust pipe with the 2 compression springs and 2 bolts.

Torque: 43 N·m (438 kgf·cm, 32 ft·lbf)

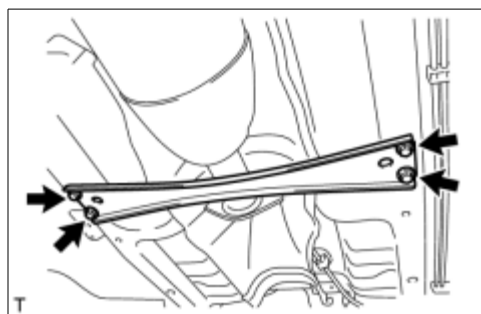
2. INSTALL CENTER EXHAUST PIPE ASSEMBLY



- (a) Install a new gasket onto the front exhaust pipe.
- (b) Install the center exhaust pipe assembly with the 2 bolts and No. 4 exhaust pipe supports.

Torque: 43 N·m (438 kgf·cm, 32 ft·lbf)

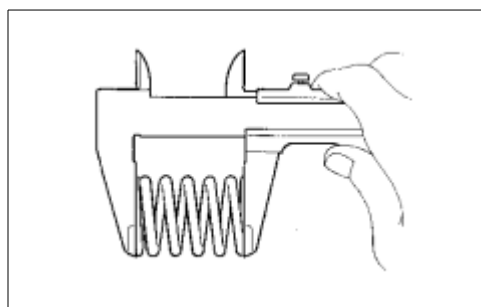
3. INSTALL FRONT FLOOR CENTER BRACE



- (a) Install the front floor center brace with the 4 bolts.

Torque: 51 N·m (520 kgf·cm, 38 ft·lbf)

4. INSTALL NO. 2 CENTER EXHAUST PIPE ASSEMBLY

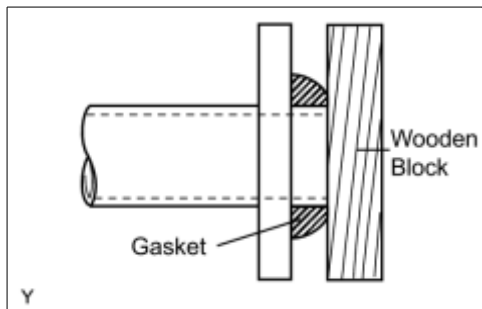


- (a) Using vernier calipers, measure the free length of the compression spring.

Minimum length:

38.5 mm (1.516 in.)

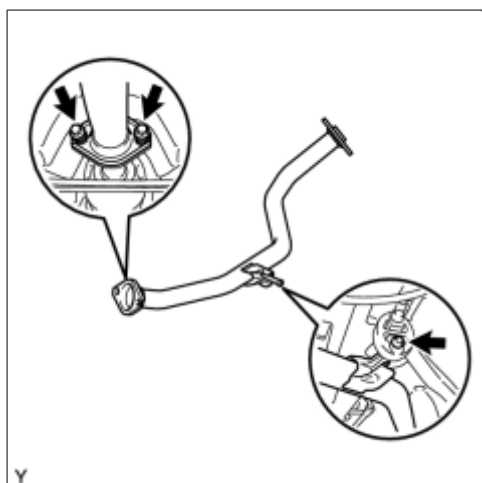
If the length is not as specified, replace the compression spring.



(b) Using a plastic hammer and a wooden block, tap in a new exhaust pipe gasket until its surface is flush with the exhaust manifold and center exhaust pipe assembly.

NOTICE:

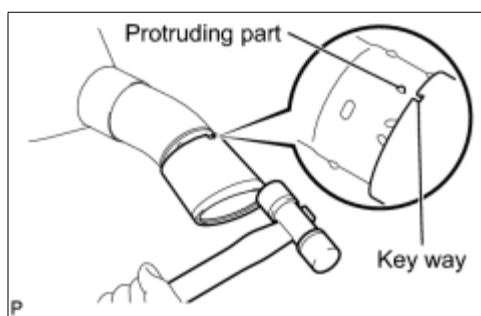
- Install the exhaust pipe gasket in the correct direction.
- Do not damage the outer surface of the exhaust pipe gasket.
- Do not reuse the exhaust pipe gasket.
- Do not push in the gasket with the exhaust pipe when connecting it.



(c) Install the No. 2 center exhaust pipe assembly with the 2 compression springs and 2 bolts.

Torque: 43 N·m (438 kgf·cm, 32 ft·lbf)

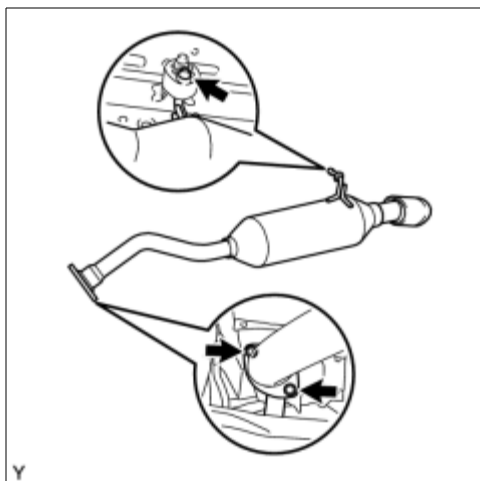
5. INSTALL TAIL PIPE BAFFLE



(a) Align the keyway on a new tail pipe baffle tail pipe baffle with the protruding part of the exhaust pipe tail as shown in the illustration.

(b) Using a plastic hammer, uniformly tap in the tail pipe baffle.

6. INSTALL TAIL EXHAUST PIPE ASSEMBLY



- (a) Install a new exhaust pipe gasket onto the No. 2 exhaust pipe assembly.
- (b) Install the tail exhaust pipe assembly with the 2 bolts and No. 4 exhaust pipe support.

7. INSTALL HEATED OXYGEN SENSOR [INFO](#)

8. INSPECT FOR EXHAUST GAS LEAK

9. INSTALL NO. 1 ENGINE UNDER COVER [INFO](#)

